

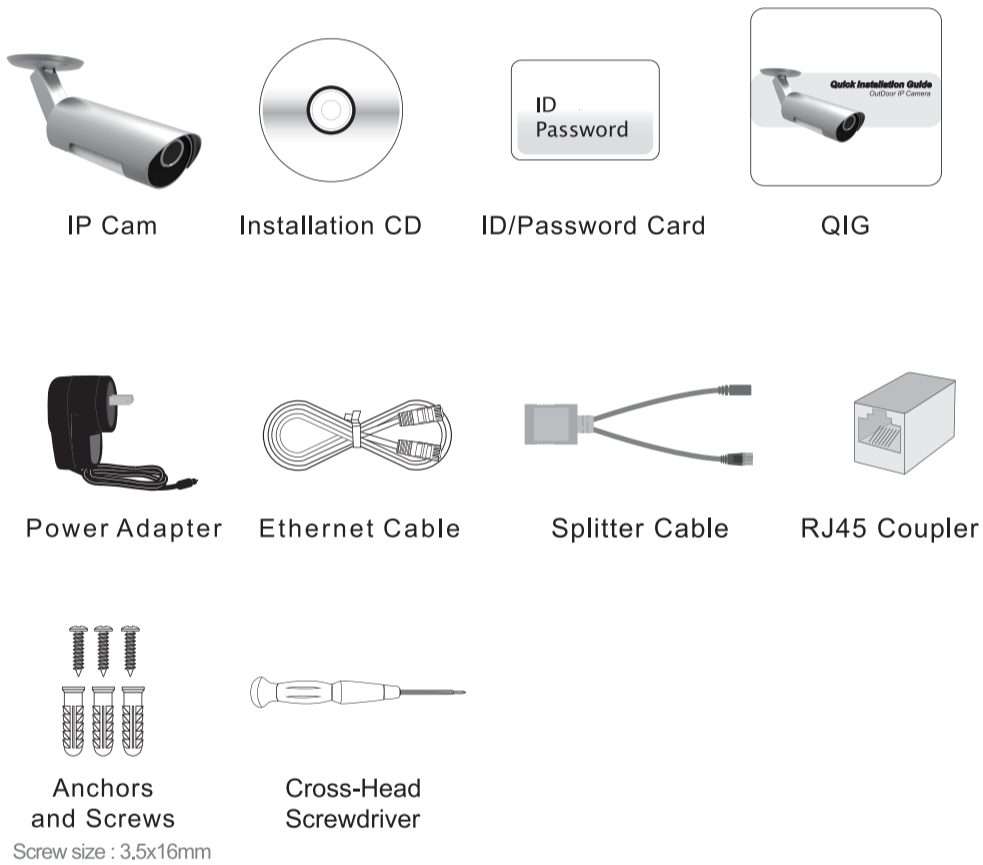


Quick Installation Guide OutDoor IP Camera



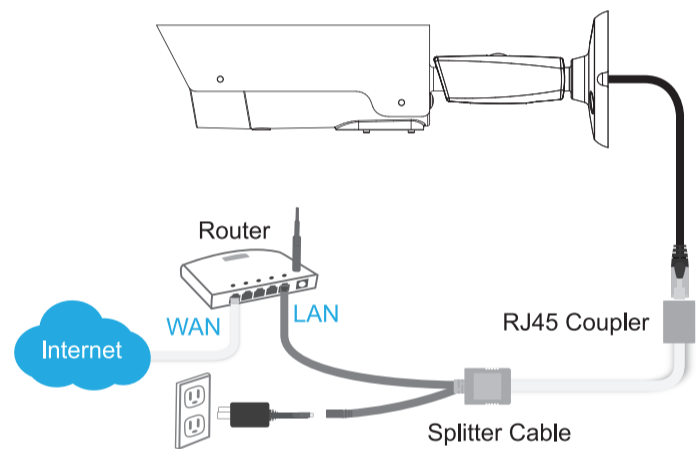
Installation Guide

Package Contents



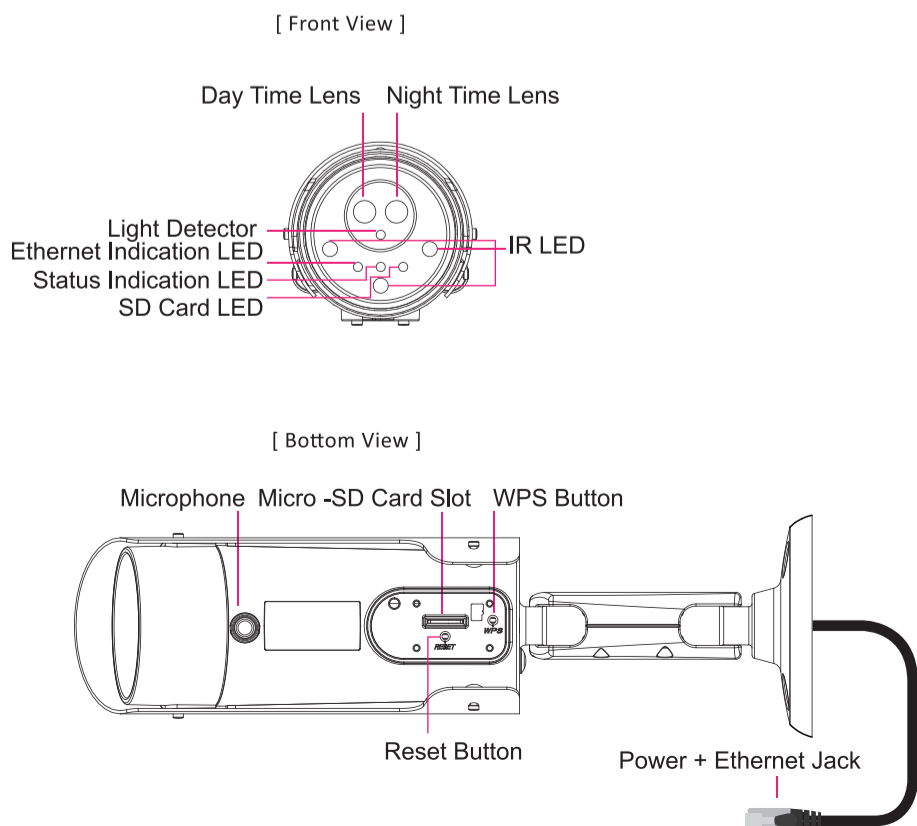
Step 1.

Connect IP Cam to Internet



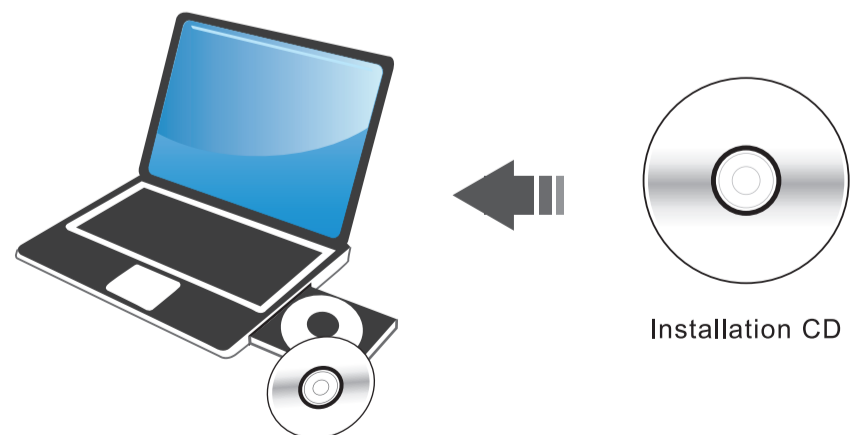
1. Connect the power adapter.
2. Connect the Ethernet cable to the NAT/Router.
3. The IP camera will get IP address from the NAT/Router (with DHCP enabled) automatically and connect to internet. Check if the red LED of IP camera is always on. If it's blinking, please check step 1 and step 2 again.

Product View



Step 2.

Install CamView Software



Put the Installation CD into your computer (with Windows XP/Vista/7). After the setup menu opened, select "Install Management Software" and follow the directions as prompted.

